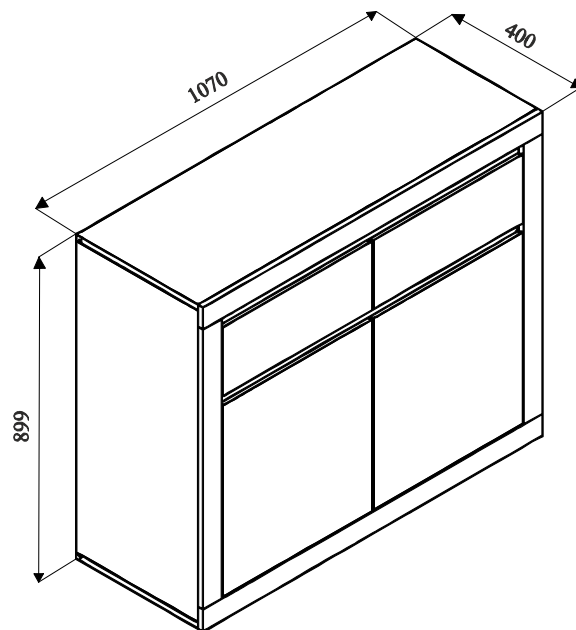
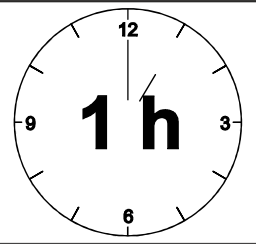
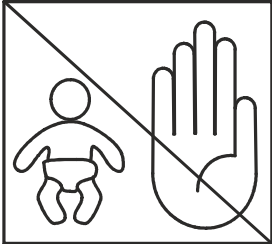
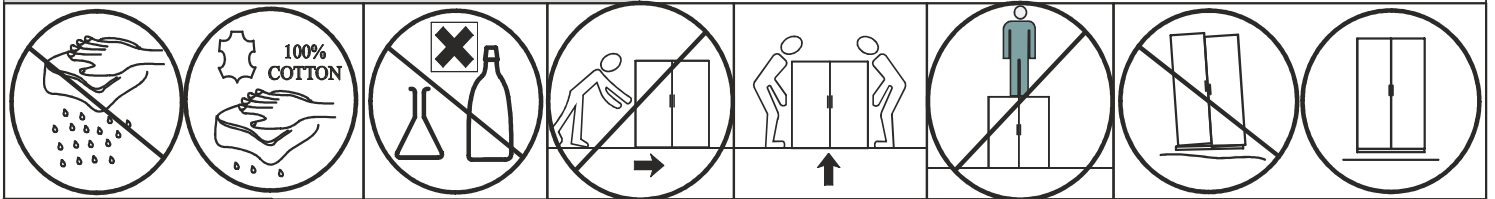
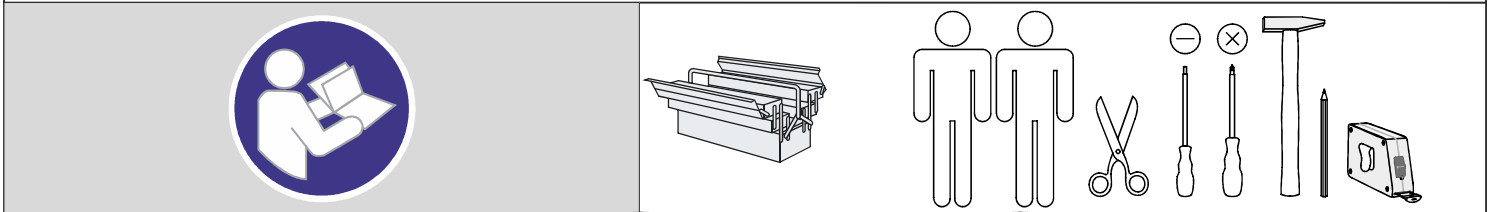
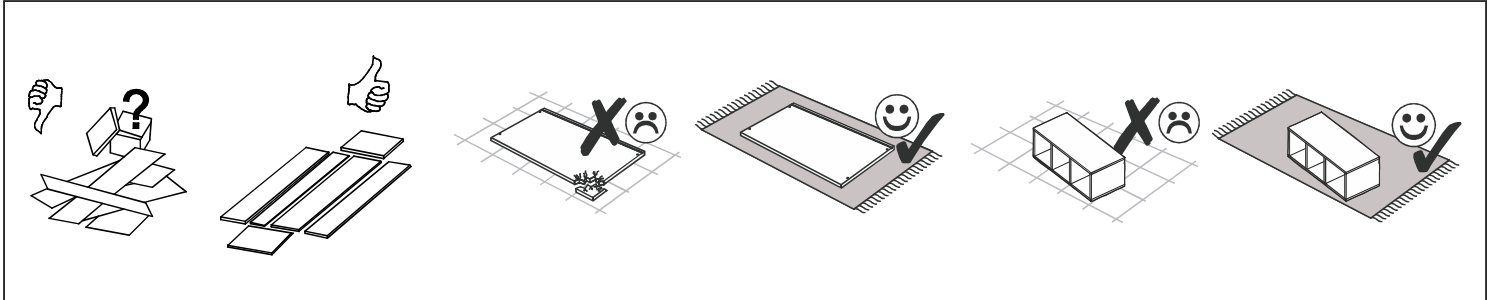
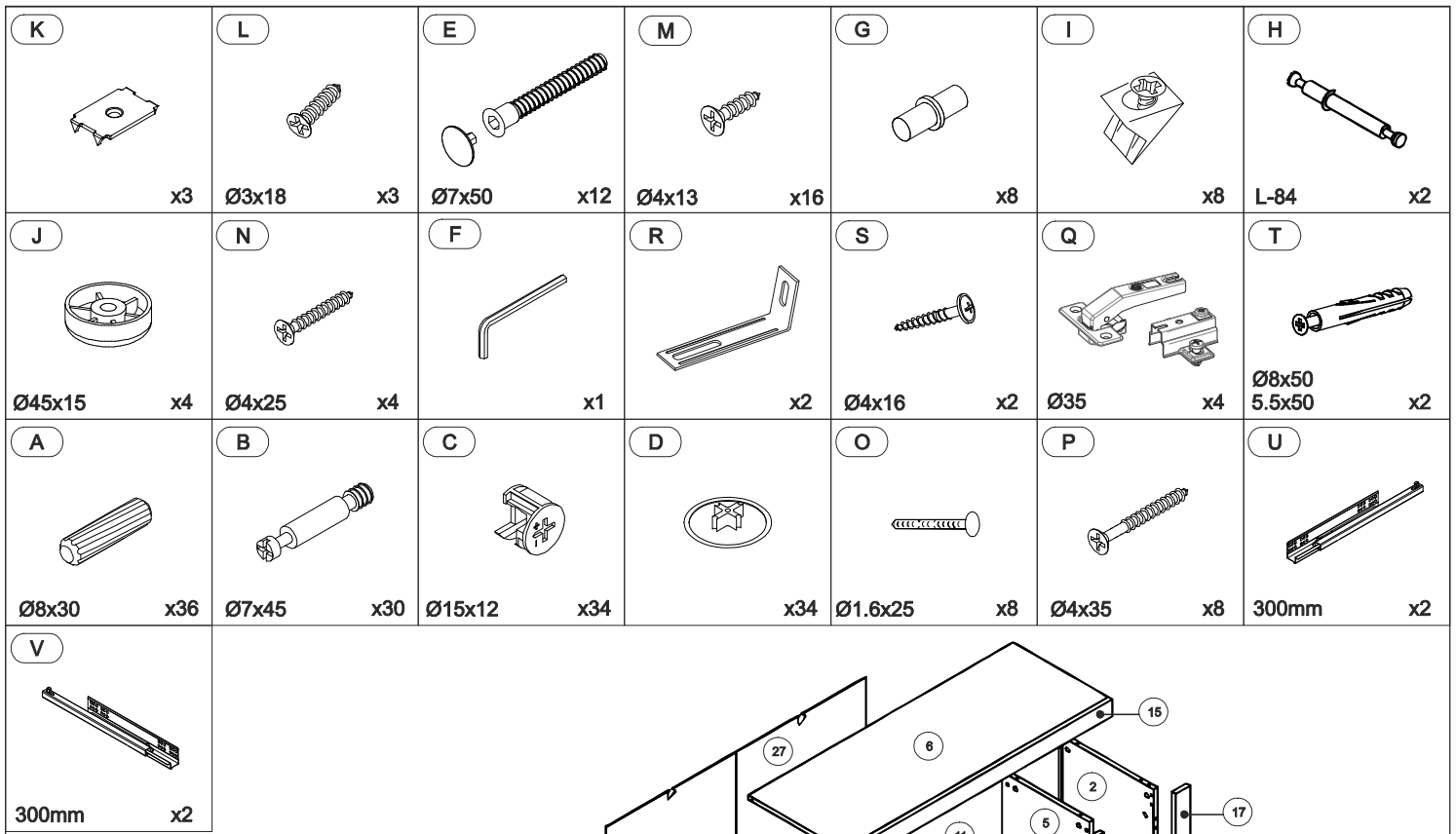


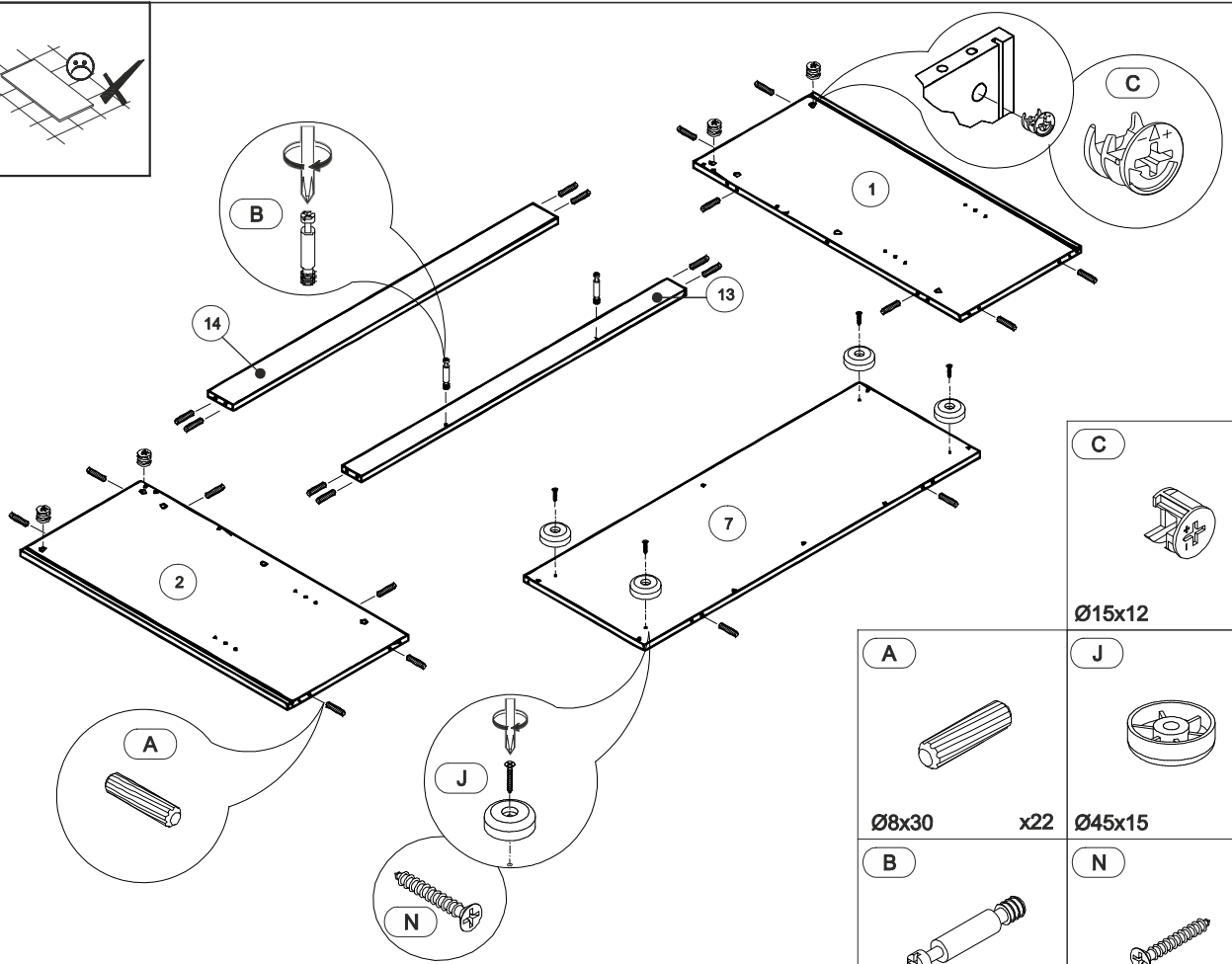
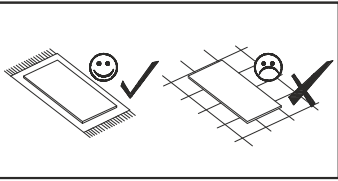
# SPICE Chest 1 STL 283.01

art. 2018028300100





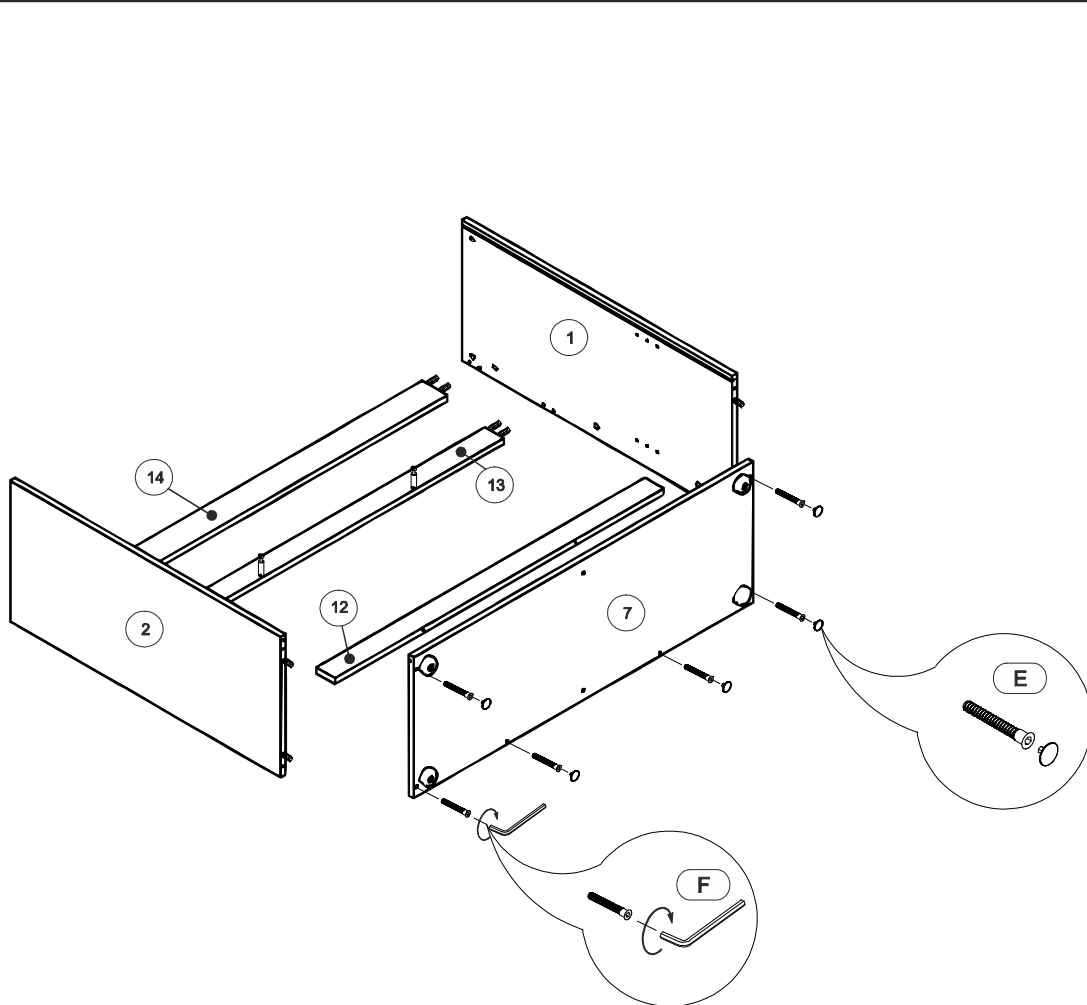
Position	L	W	H	Quantity	Colli
1	852	384	16	1	1 / 2
2	852	384	16	1	1 / 2
3	852	352	16	1	1 / 2
4	287	352	16	1	2 / 2
5	287	352	16	1	2 / 2
6	1070	384	16	1	1 / 2
7	1070	384	16	1	1 / 2
8	484	60	16	1	2 / 2
9	484	60	16	1	2 / 2
10	484	60	16	1	2 / 2
11	484	60	16	1	2 / 2
12	1036	60	16	1	1 / 2
13	1036	60	16	1	1 / 2
14	1036	80	16	1	1 / 2
15	1070	60	16	2	1 / 2
16	764	60	16	1	1 / 2
17	764	60	16	1	2 / 2
18	510	330	16	2	1 / 2
19	523	471	16	1	2 / 2
20	523	471	16	1	2 / 2
21	188	471	16	1	2 / 2
22	300	115	16	2	1 (1 / 2); 1 (2 / 2)
23	300	115	16	2	1 / 2
24	427	100	16	2	2 / 2
25	441	306	3	2	2 / 2
26	188	471	16	1	2 / 2
27	866	525	3	2	2 / 2



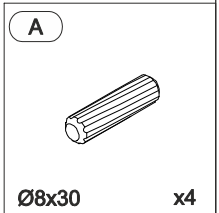
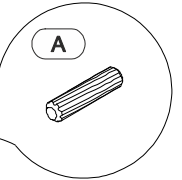
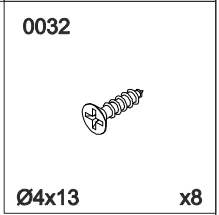
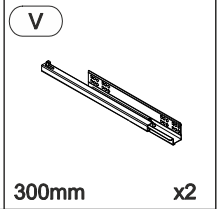
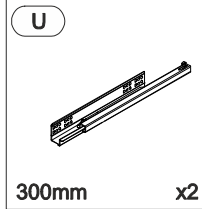
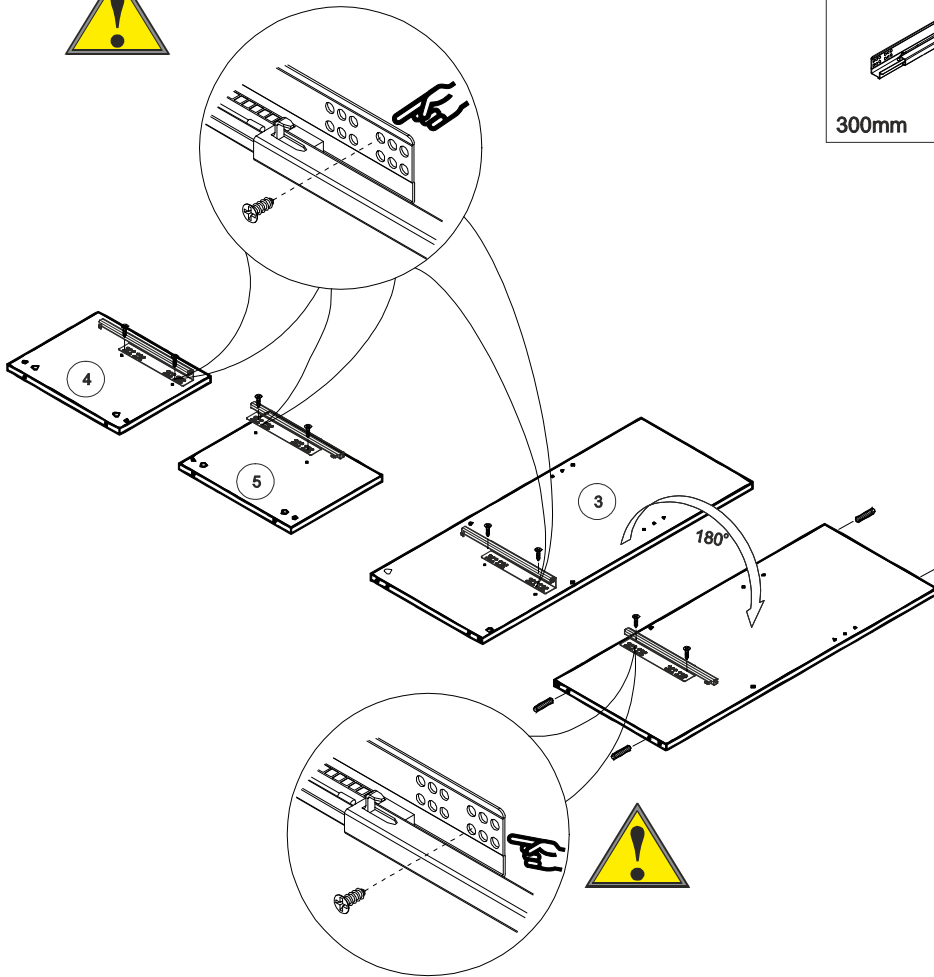
1

C	
Ø15x12	x4
A	J
Ø8x30	x22
B	N
Ø7x45	x2
	Ø4x25
	x4

2

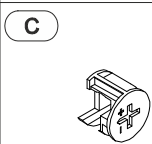
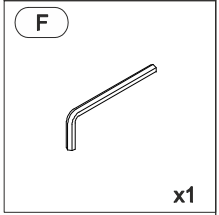
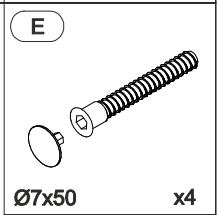
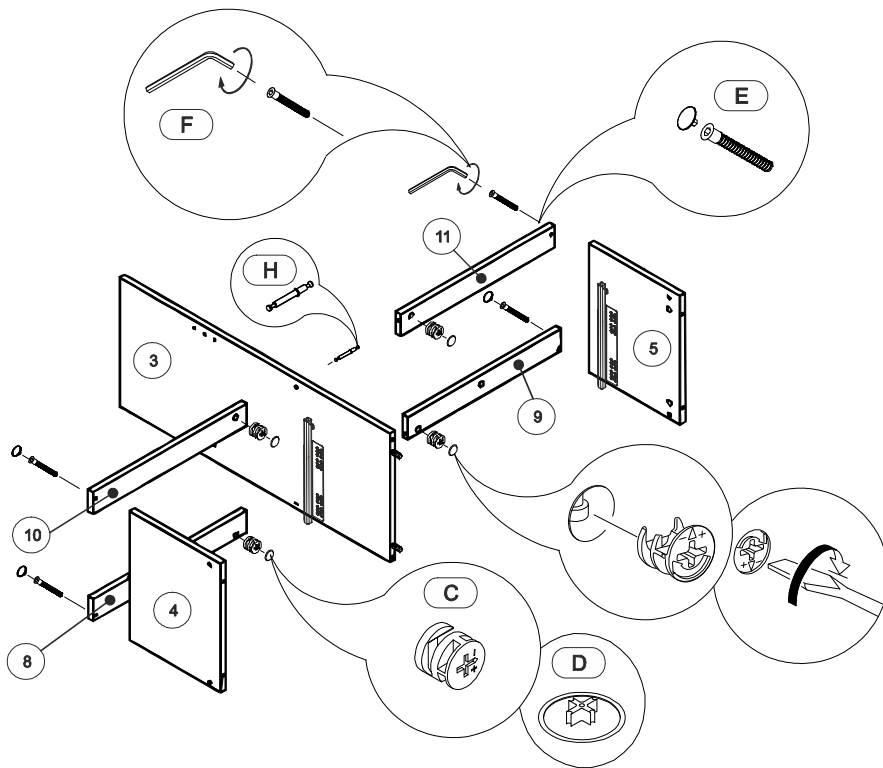


E	
Ø7x50	x6
F	
	x1

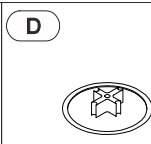


**3**

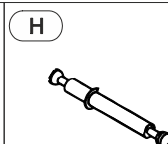
**4**



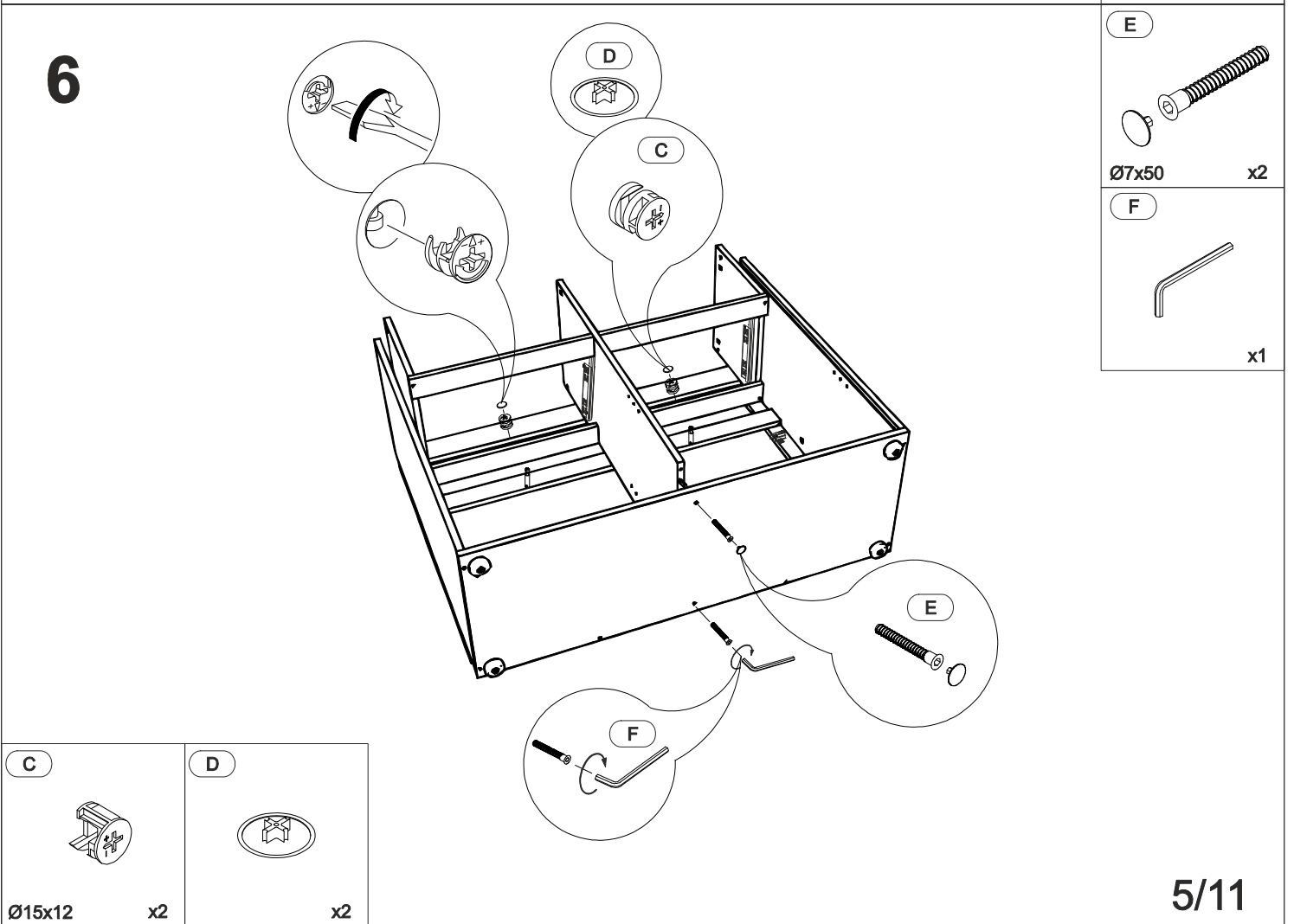
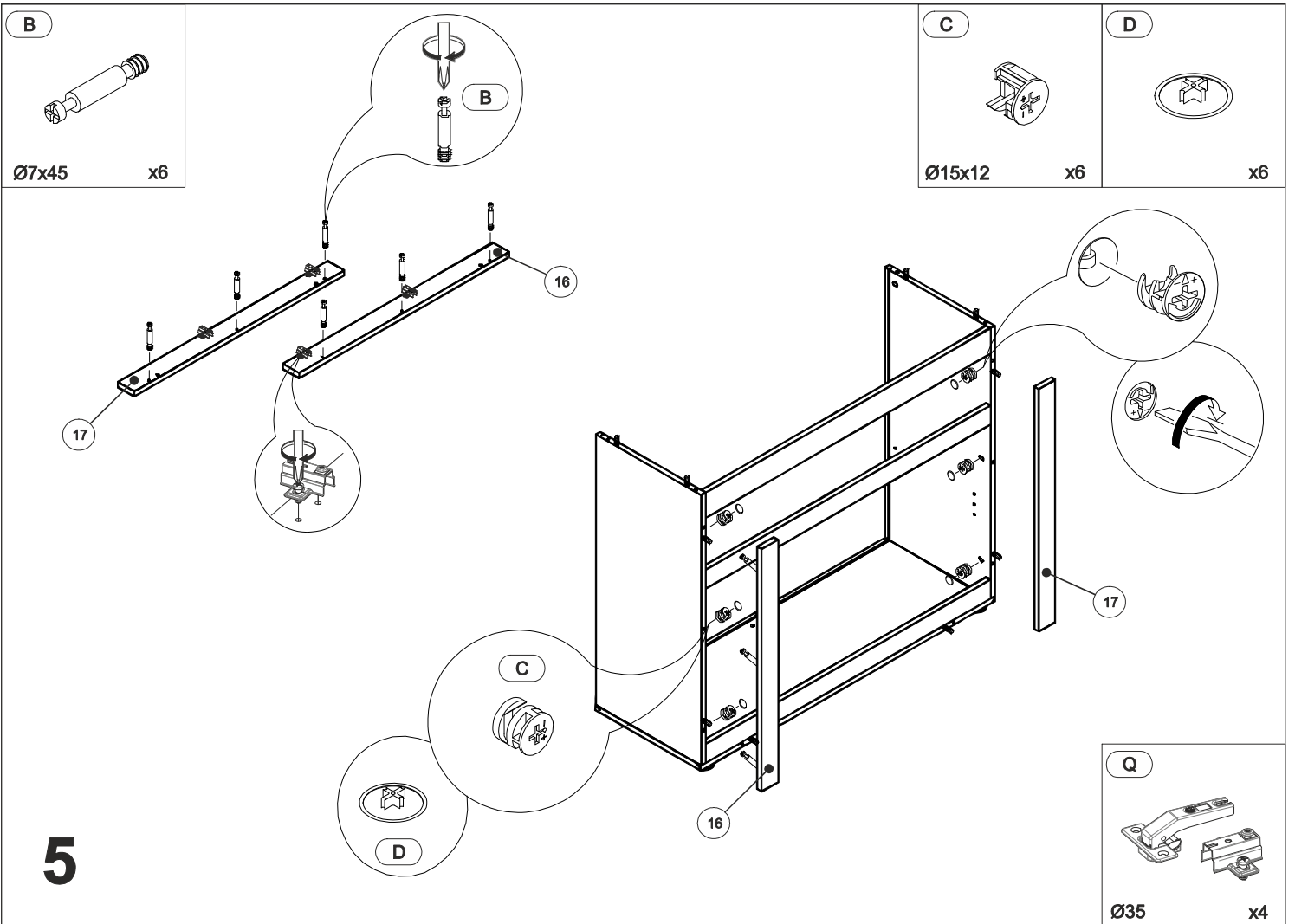
Ø15x12 x4

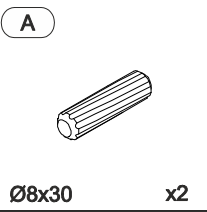
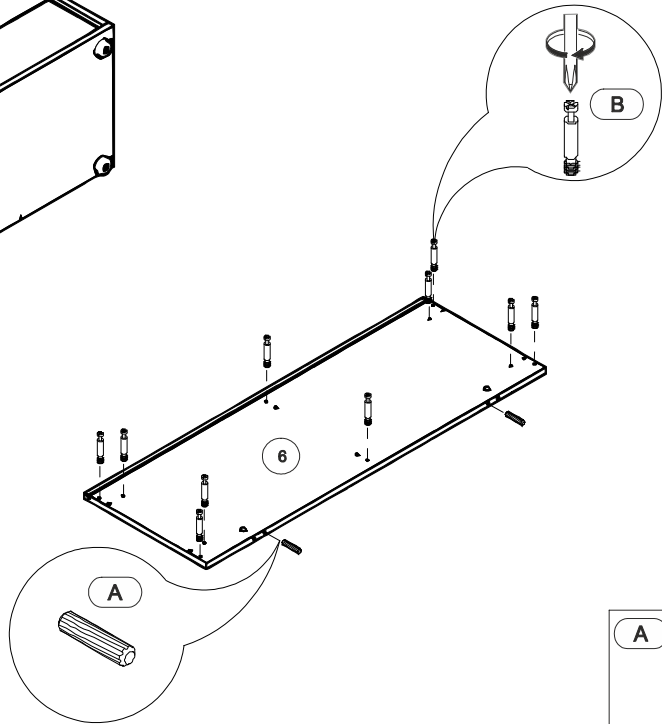
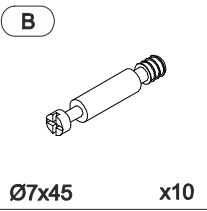
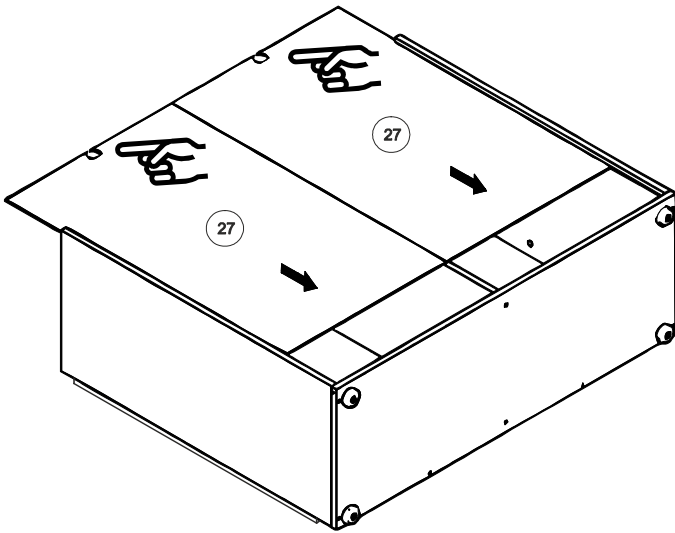


x4



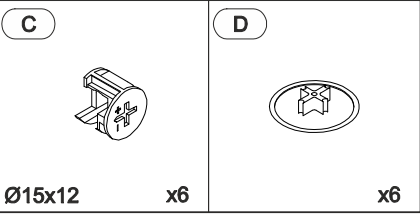
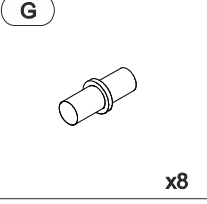
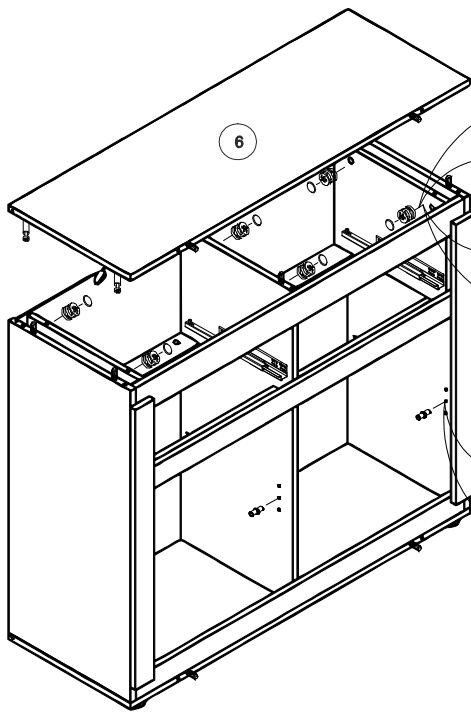
L-84 x2

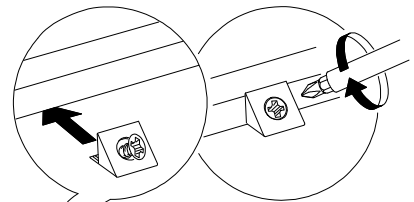
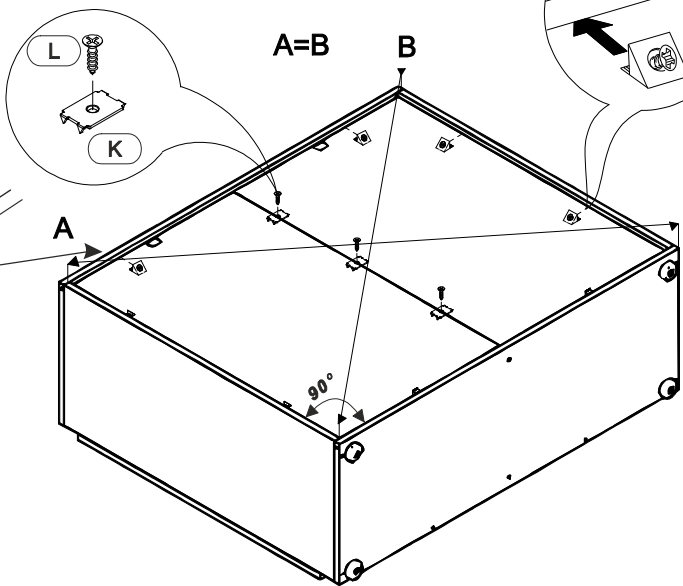


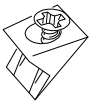
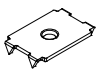



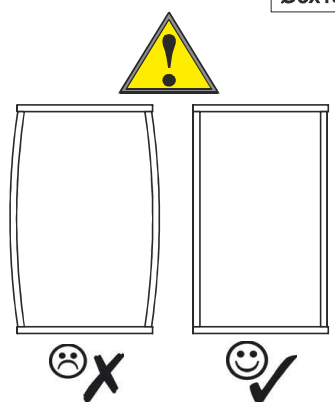
**7**

**8**



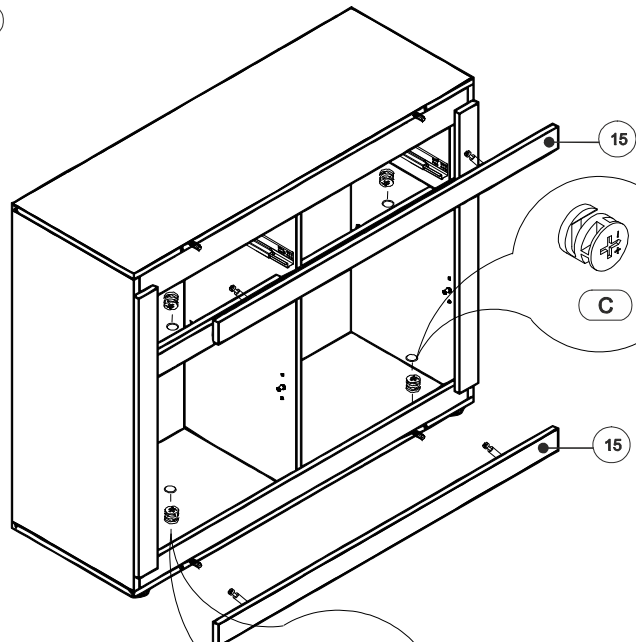
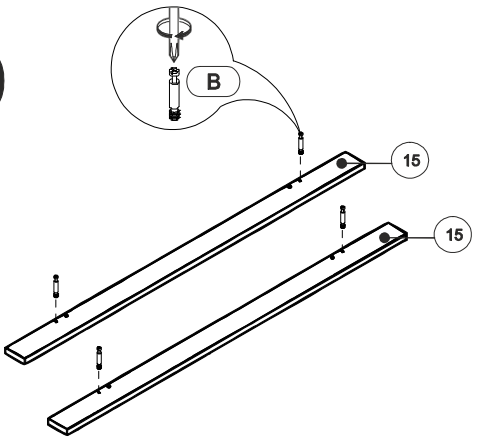


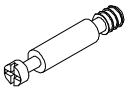
- I  x8
- K  x3
- L  Ø3x18 x3





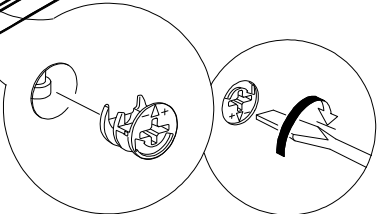
9

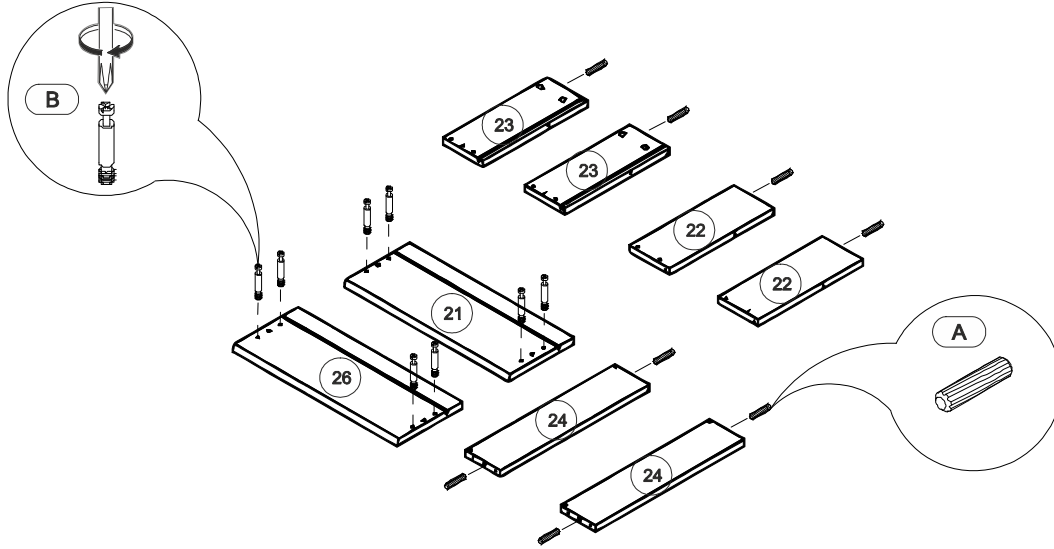
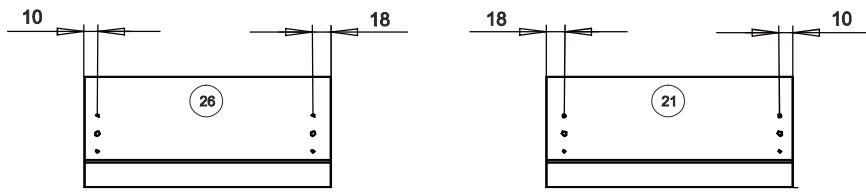
10



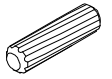
- B  Ø7x45 x4

- C  Ø15x12 x4
- D  x4





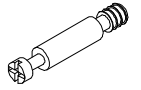
A



Ø8x30

x8

B



Ø7x45

x8

11

12

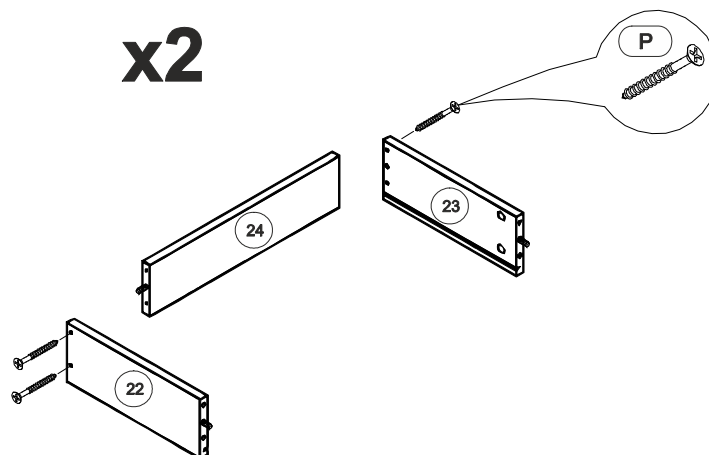
P



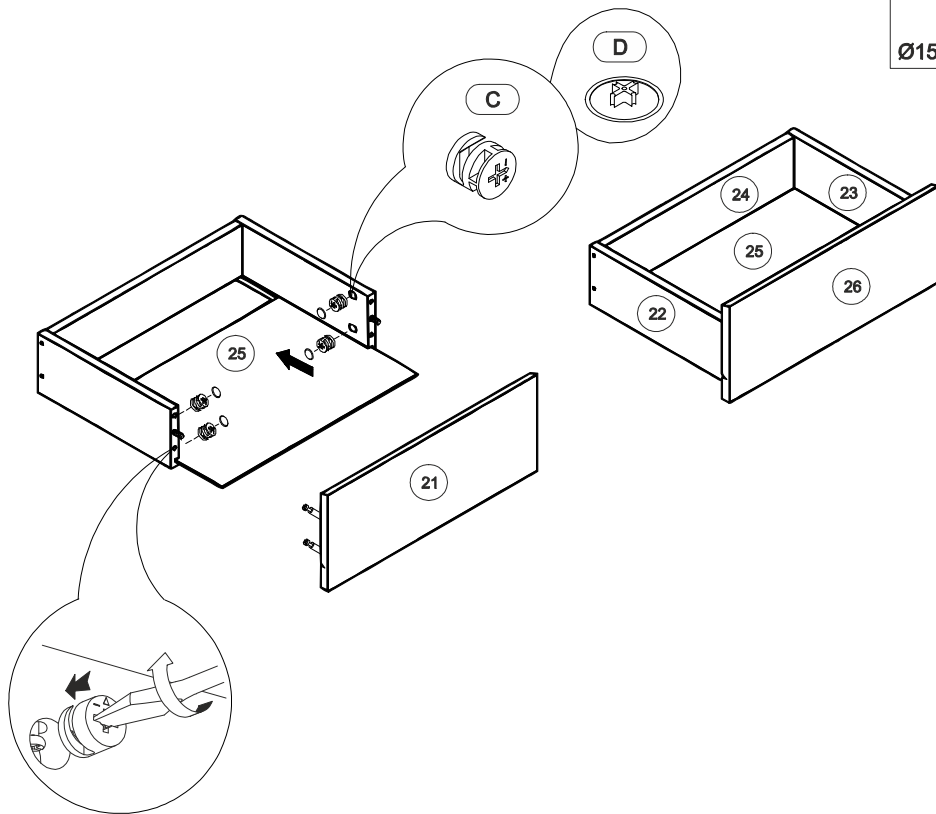
Ø4x35

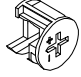

x8

x2



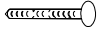




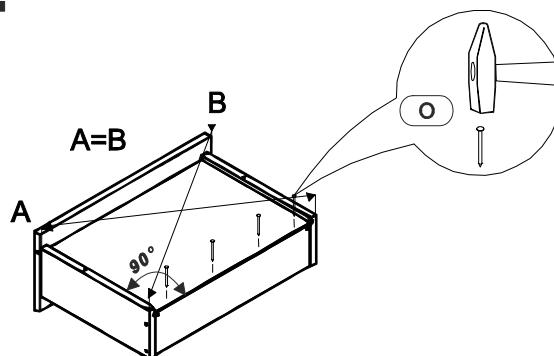
<b>C</b>		<b>D</b>	
	Ø15x12	x8	x8

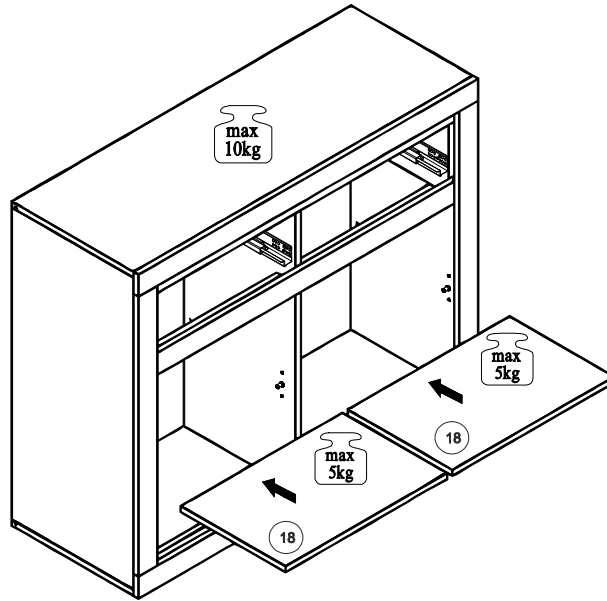
**13**

**14**

<b>O</b>	
	Ø1.6x25
	x8

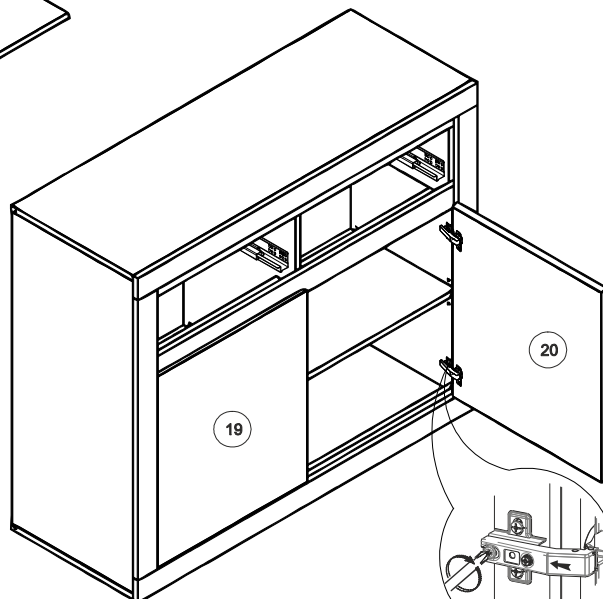
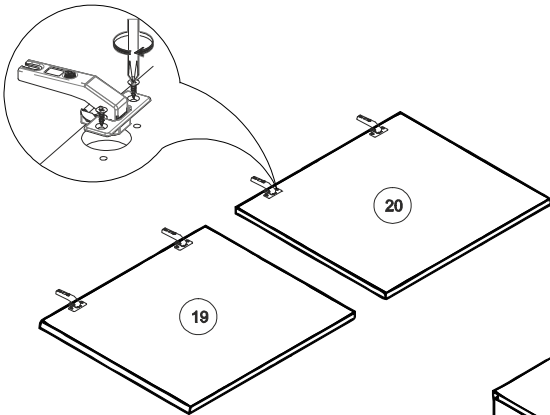
**x2**



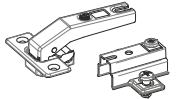


15

16



Q

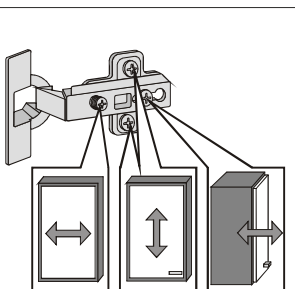



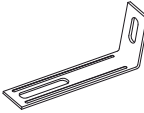

Ø35 x4

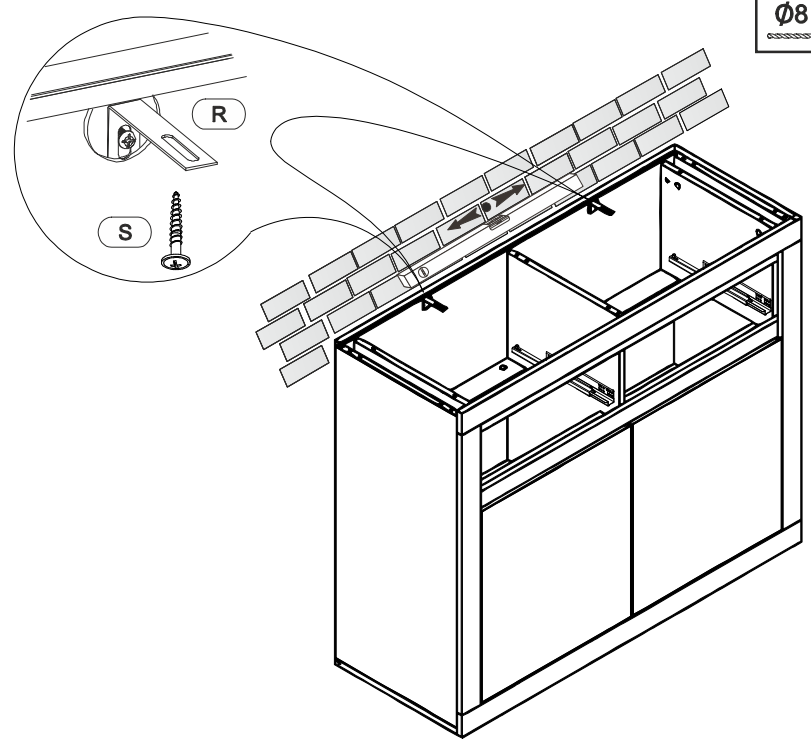
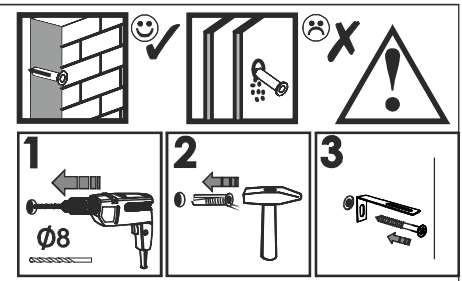
M



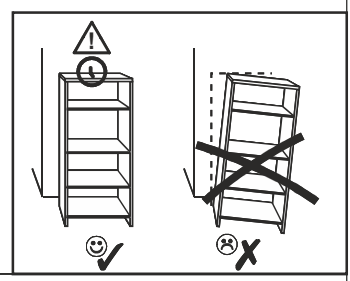
Ø4x13 x8



- T**  
  
 Ø8x50  
 5.5x50      x2
- R**  
  
 x2
- S**  
  
 Ø4x16      x2



**17**



**18**

