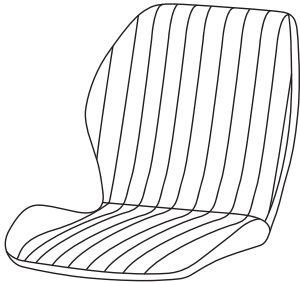


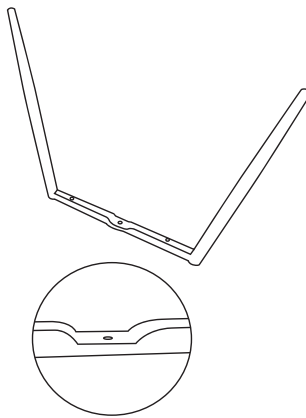
ABROK(GDC1256Aa-2)



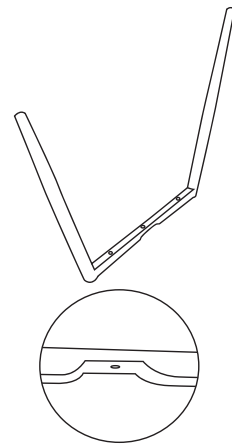
1



2



3



1	1x
2	1x
3	1x

A



M6x20mm

1x

B



M6x35mm

4x

C



Ø16xØ6x1.5mm

4x

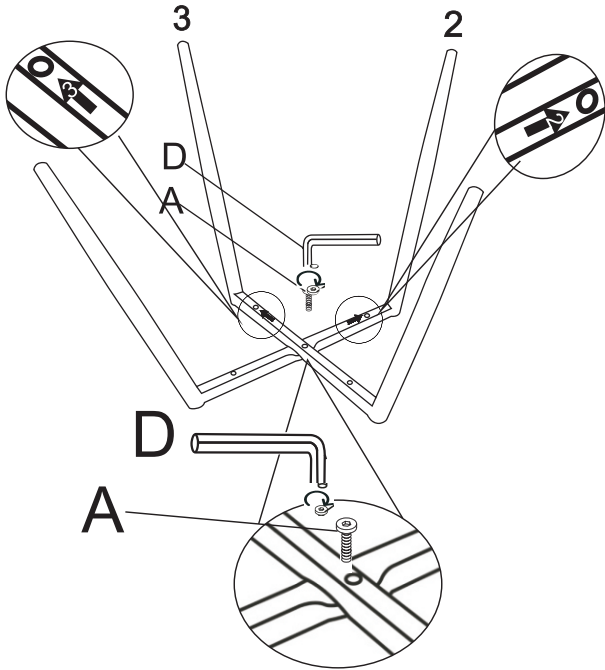
D



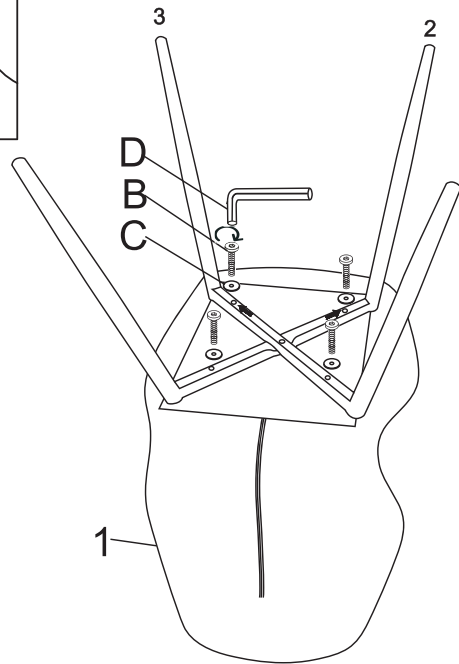
5MM

1x

①



②



③

