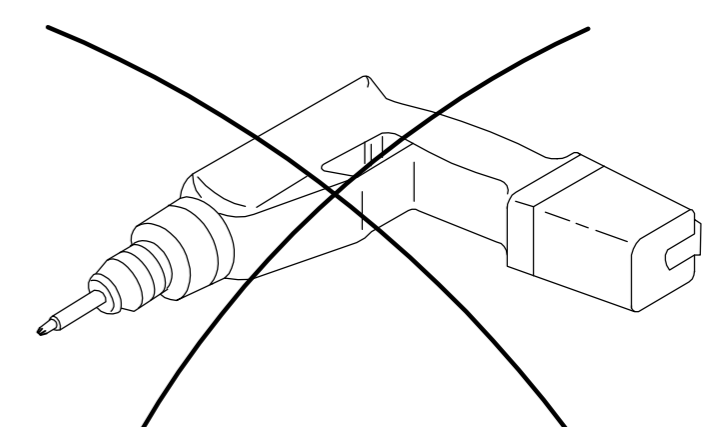
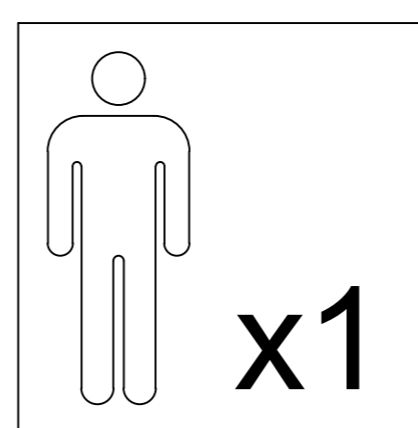
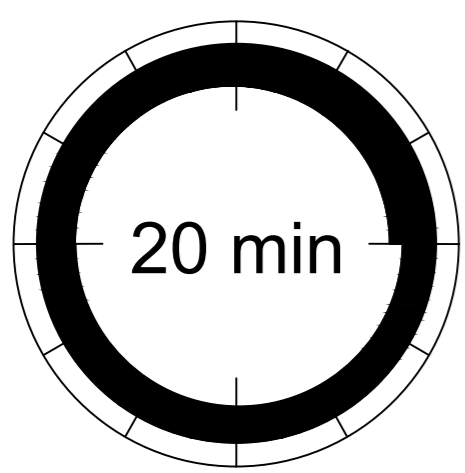
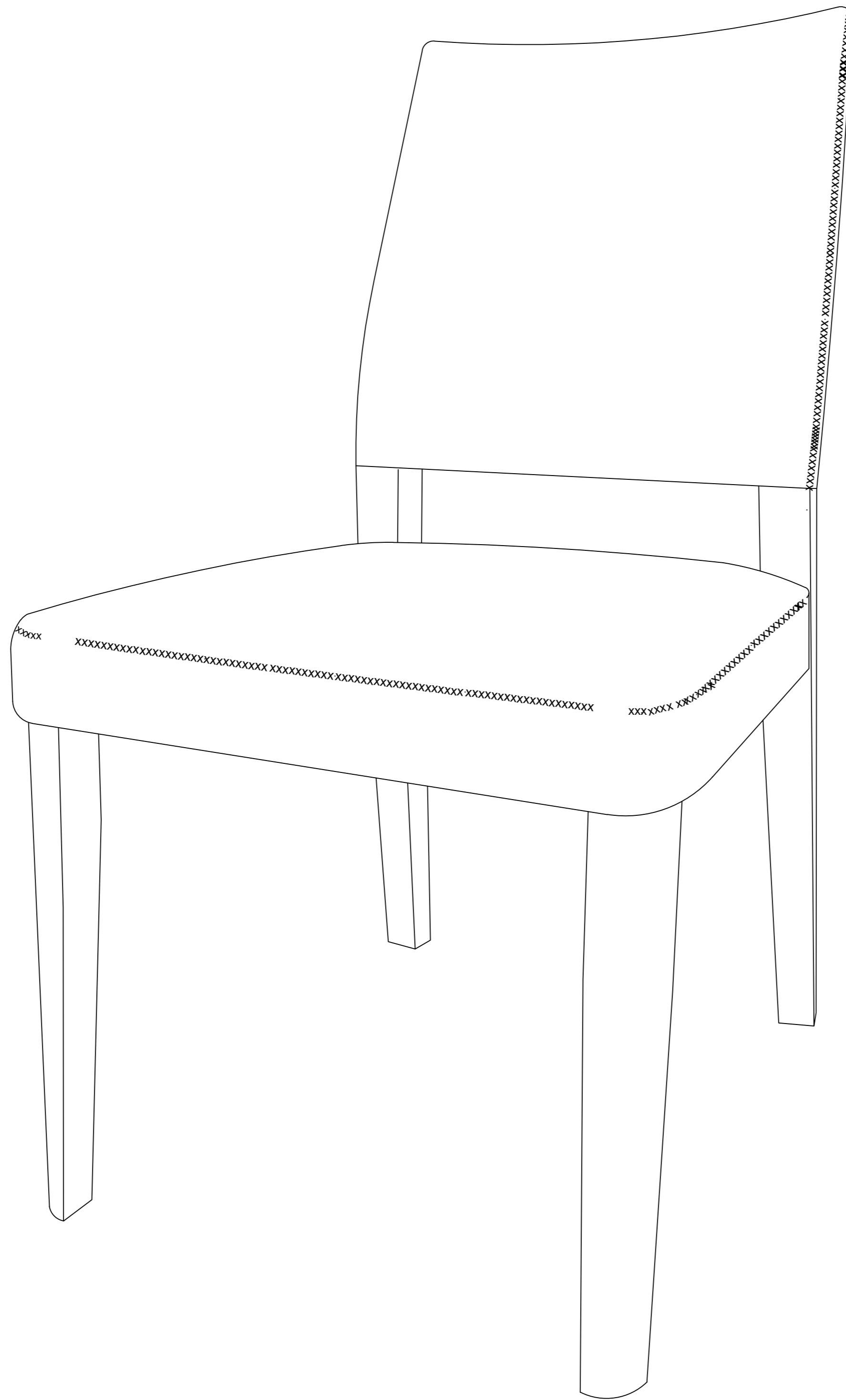
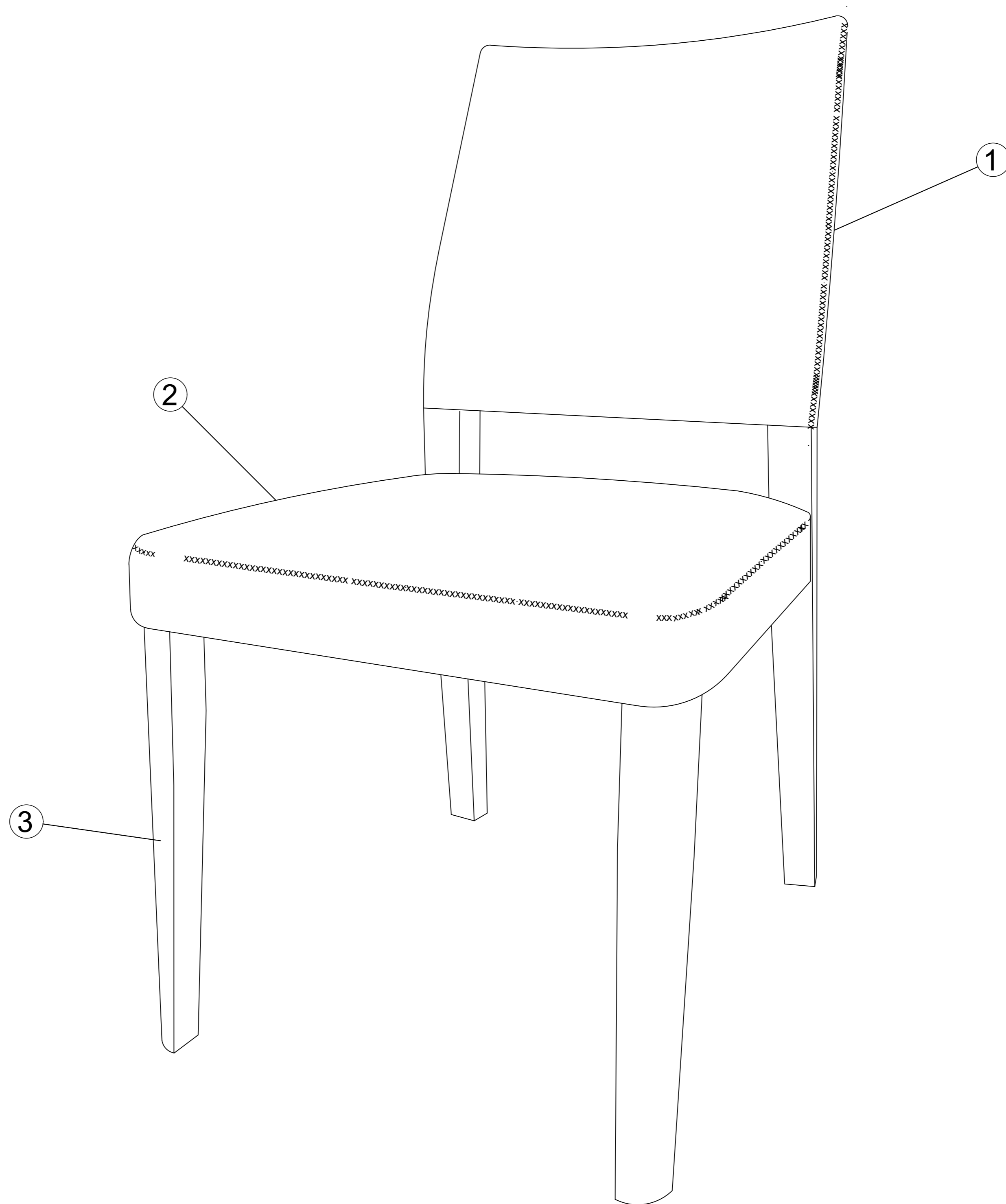


MSDC215 (SYLON)

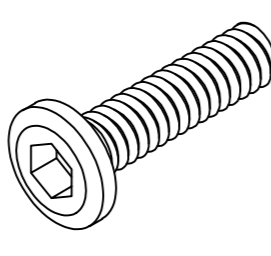
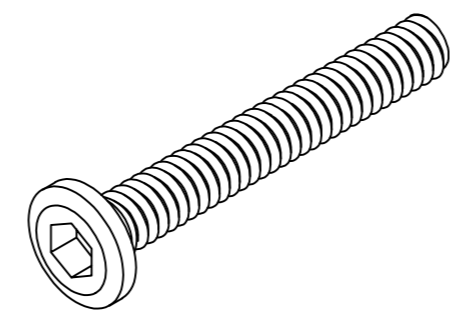
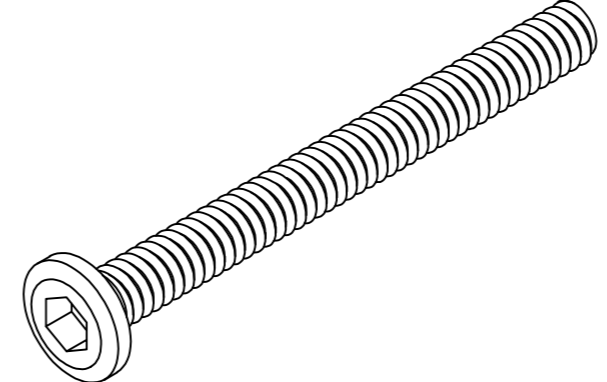


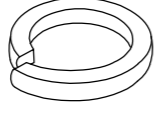
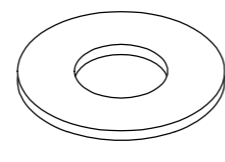
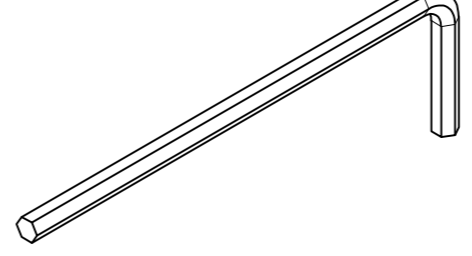
MSDC215 (SYLON)

			√
①	x1	870x430x70mm	
②	x1	105x465x430mm	
③	x2	38x38x430mm	



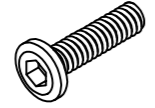


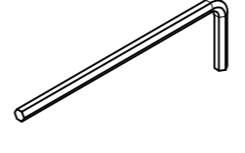
MSDC215 (SYLON)

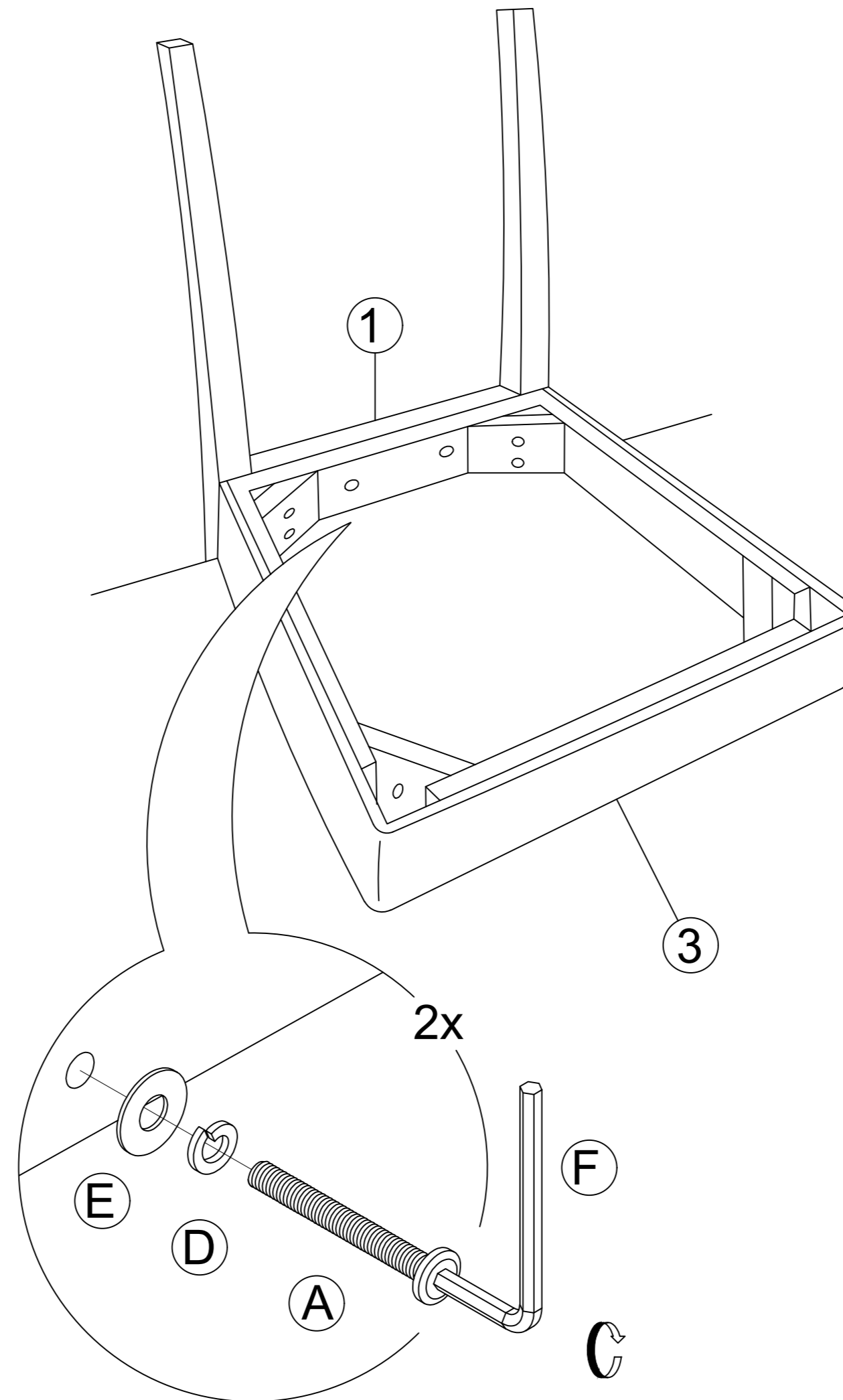
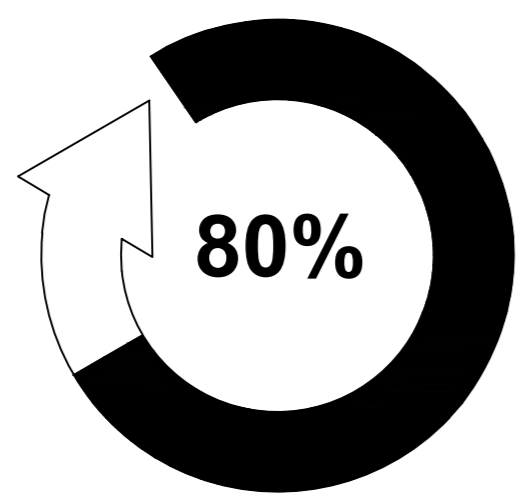
<p>A x 2</p>  <p>M6x40mm</p>	<p>B x 4</p>  <p>M6x60mm</p>	<p>C x 4</p>  <p>M6x80mm</p>
---	--	---

<p>D x 10</p>  <p>SPRING WASHER 1/4"</p>	<p>E x 10</p>  <p>FLAT WASHER 1/4"</p>	<p>F x 1</p>  <p>ALLEN KEY (M4)</p>
---	---	---

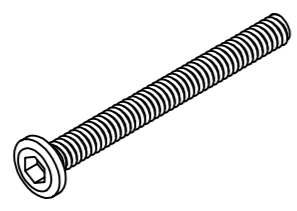


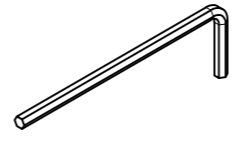
MSDC215 (SYLON)

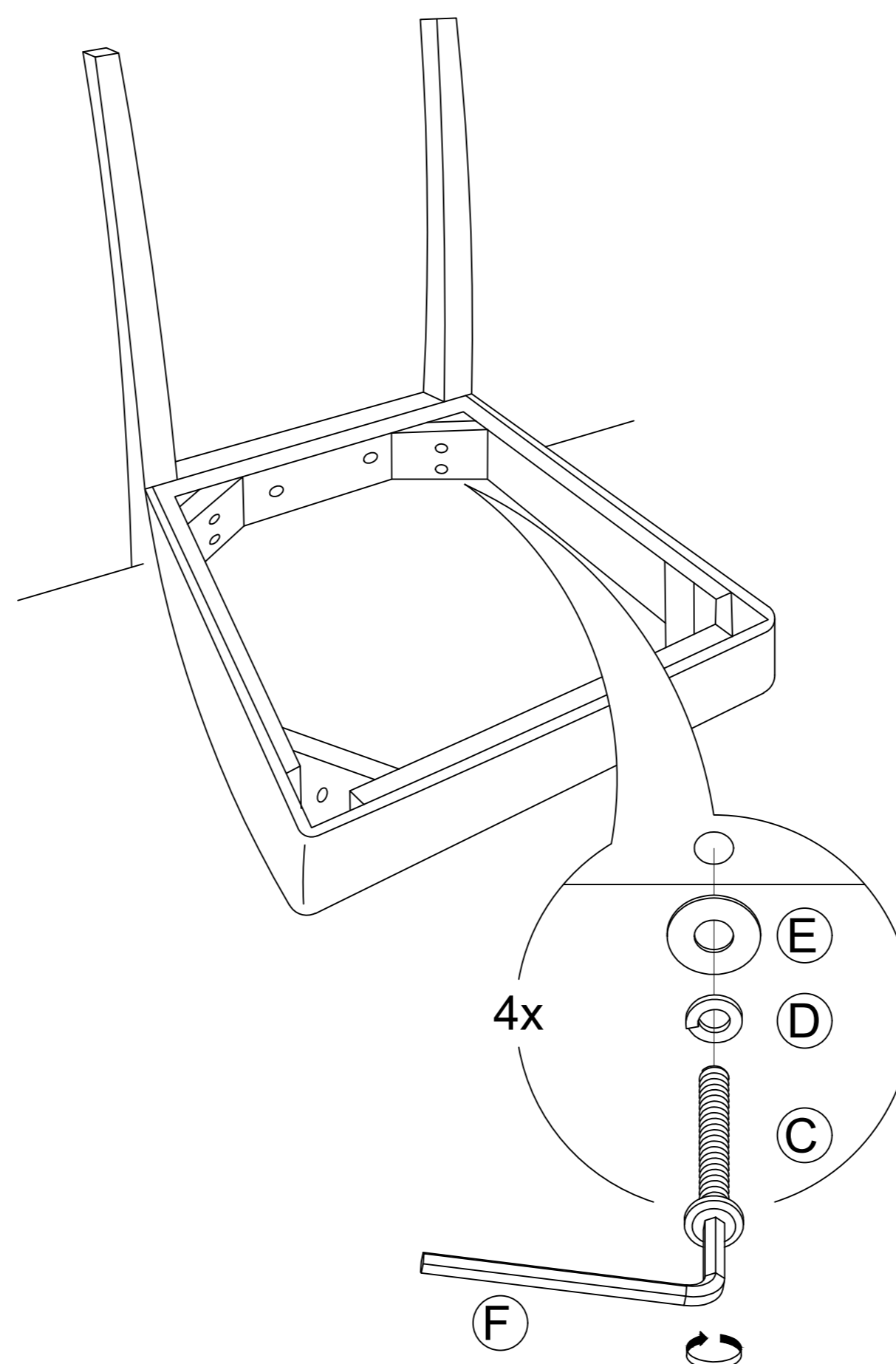
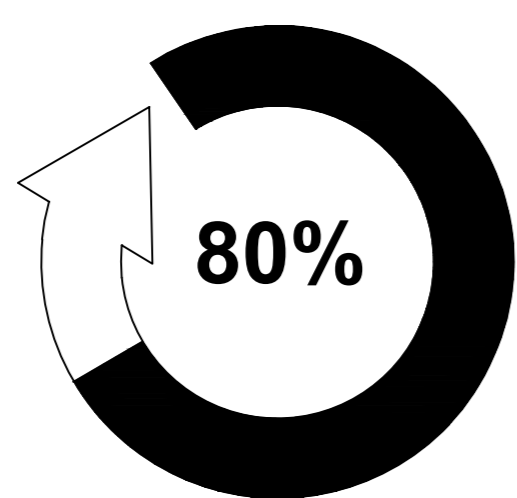
1

A x 2  M6x40mm	D x 2  SPRING WASHER 1/4"	E x 2  FLAT WASHER 1/4"	F x 1  ALLEN KEY (M4)
---	---	---	---



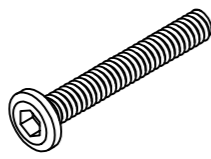


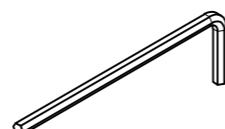
2

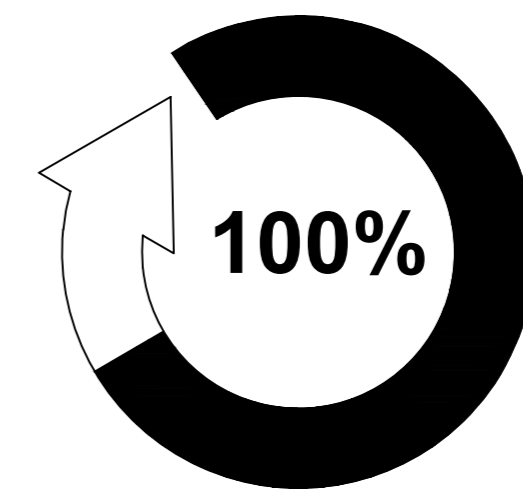
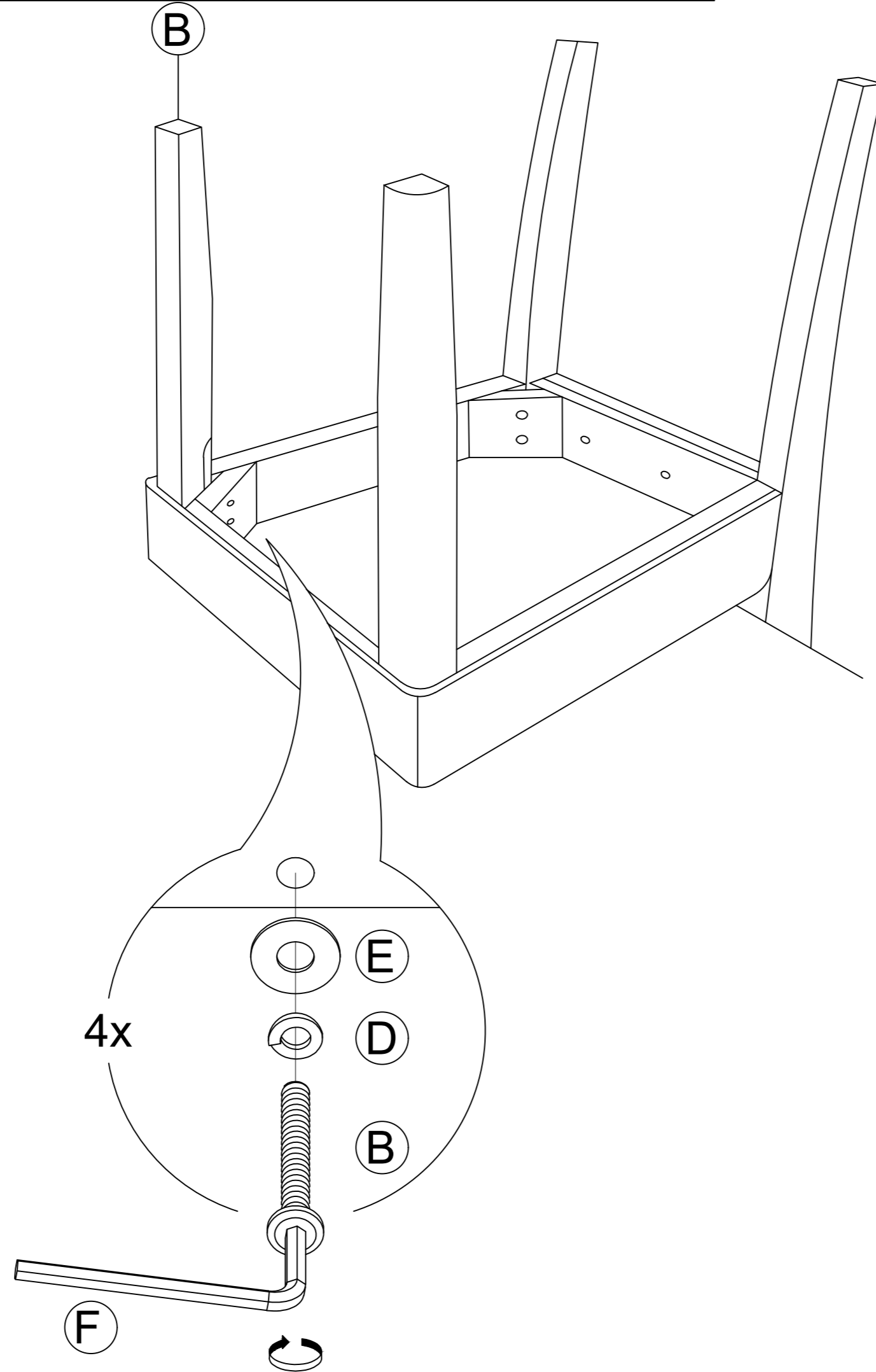
C x 4  M6x80mm	D x 4  SPRING WASHER 1/4"	E x 4  FLAT WASHER 1/4"	F x 1  ALLEN KEY (M4)
---	---	---	---



MSDC215 (SYLON)

3

B x 4  M6x60mm	D x 4  SPRING WASHER 1/4"	E x 4  FLAT WASHER 1/4"	F x 1  ALLEN KEY (M4)
---	---	---	---



4

