





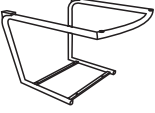
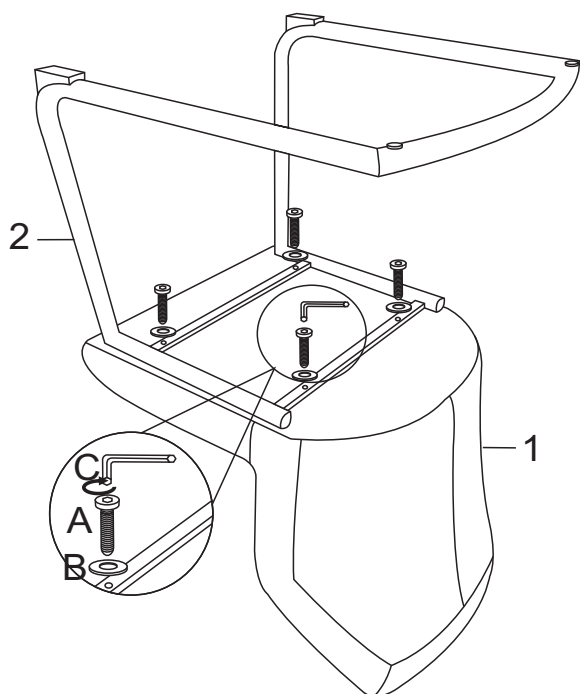
 <p>DITIA DC-955B</p>	<p>A</p>  <p>M6x25mm</p> <p>x4</p>	<p>B</p>  <p>M6x18mm</p> <p>x4</p>	<p>C</p>  <p>M5</p> <p>x1</p>
	 <p>x1</p>  <p>5min</p>	<p>1</p>  <p>x1</p>	<p>2</p>  <p>x1</p>

Step1



Step2

